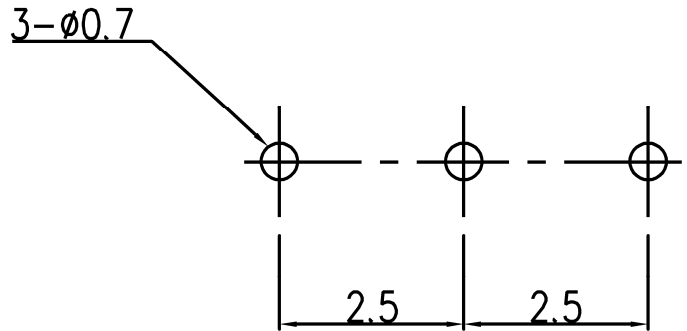
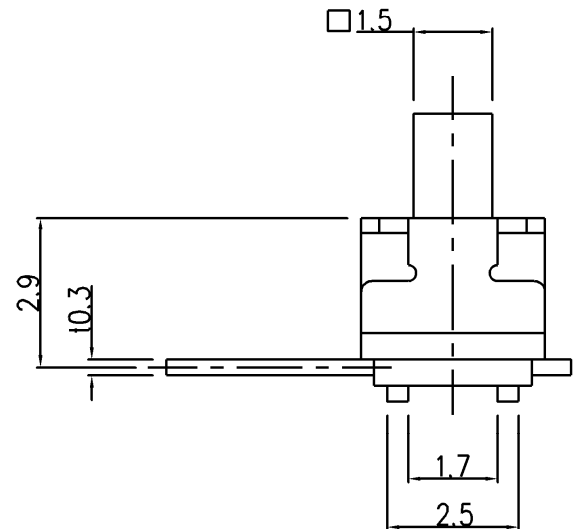
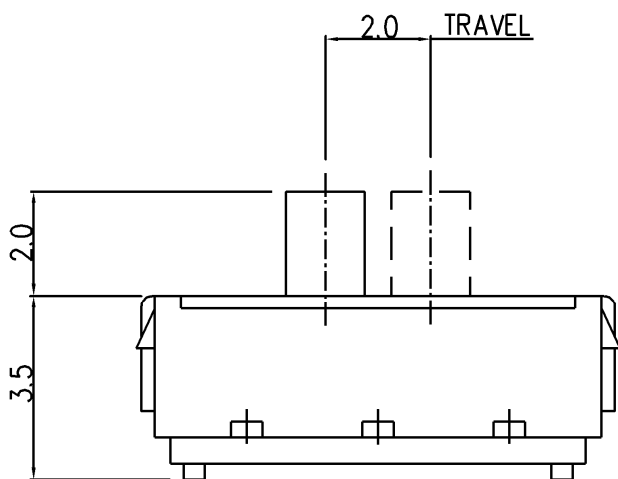
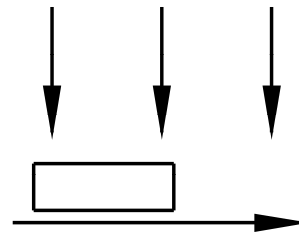


P.C.B LAND PATTERN



CIRCUIT DIAGRAM



SPECIFICATION

1. RATING : DC 6V 0.3A
2. CIRCUIT : 1C-2P
3. TIMING : NON SHORTING
4. TRAVEL : 2 mm
5. OPERATING FORCE : 200 ± 100gf

5	C/Plate	PBSR	C5210R-EH	Ag clad
4	Stem	PolyAmide	Arlen C230 G30	
3	Cover	Stainless	SUS301	
2	Case	L.C.P		
1	Terminal	Brass	C2680R-H(t0.3)	Ag plating
No	Parts Name	Material	Specification	Remark



銓基電子股份有限公司
ROKI ELECTRONICS CO., LTD.

PART NAME : SLIDE SWITCH

SCALE :

PART NO : ST12001-□-S-PF

UNIT : mm

TOLERANCE : ±0.3 mm



VER : R01